



SOLAR MOUNT TILT LEGS (LATIN AMERICA)

INSTALLATION GUIDE

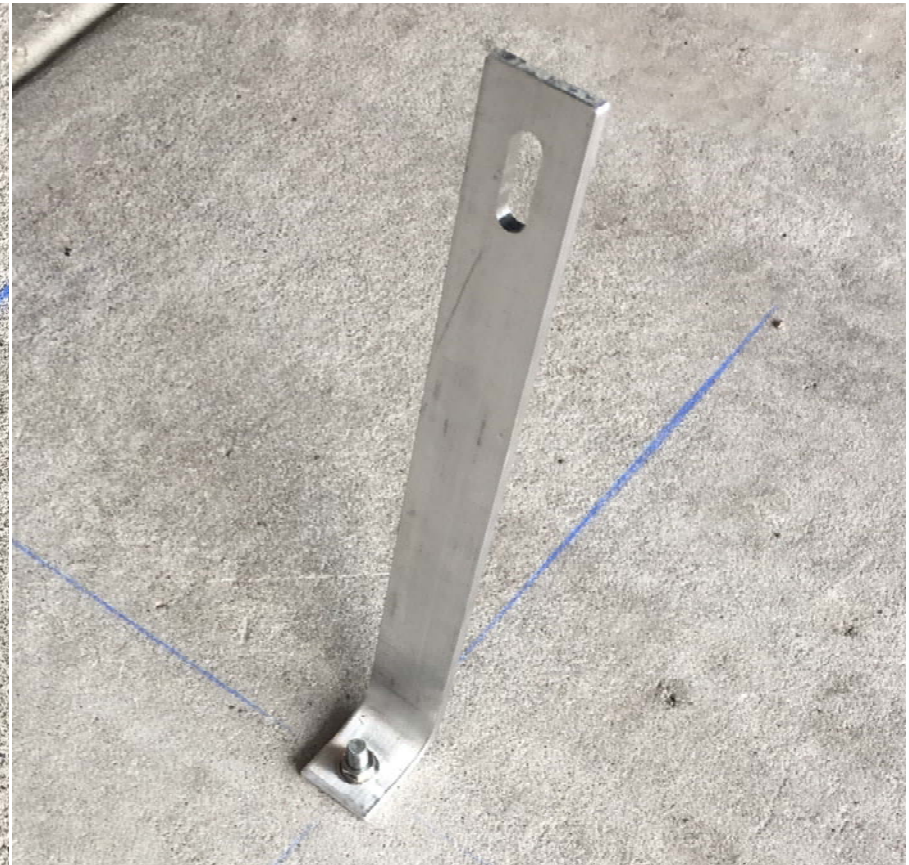


TABLE OF CONTENTS:

Tools & Assembly Details
Quick steps for Installation

PG

1

2 & 3

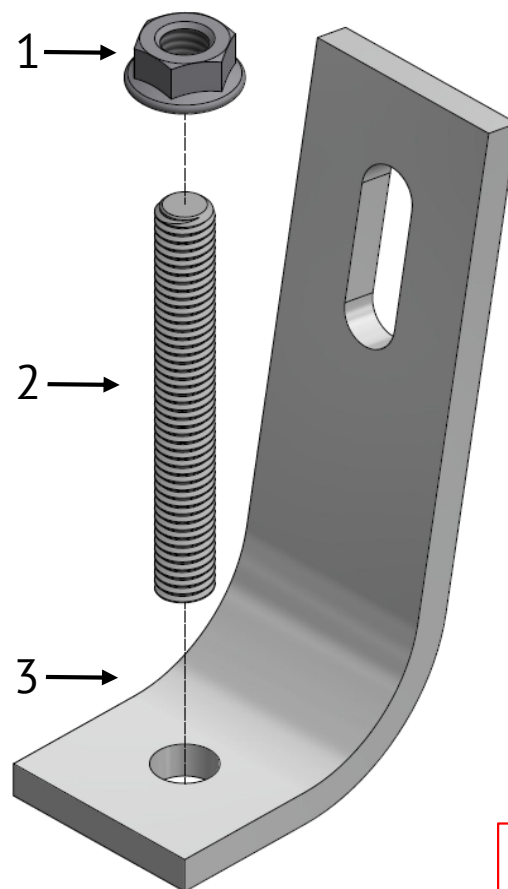
PUB2017AUG28

**TOOLS REQUIRED OR RECOMMENDED FOR
LAYOUT & INSTALLATION**

- TAPE MEASURE
- ROOFING CRAYON
- CHALK LINE
- ROTARY HAMMER DRILL WITH APPROPRIATE CARBIDE DRILL BIT
- HAMMER DRILL WITH APPROPRIATE SIZE NUT DRIVER
- HAMMER
- HACK SAW/CUT-OFF SAW

SM TILT LEGS (LATIN AMERICA) COMPONENTS

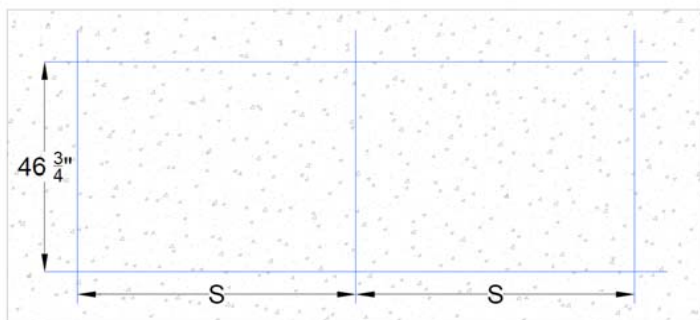
1. 3/8" SERRATED FLANGE NUT
2. 3/8" CONCRETE FASTENER (*ADEQUATE DEPTH TO SATISFY ANCHOR/EPOXY MANUFACTURER*)
 - ALL-THREAD/EPOXY
 - ALL-THREAD/DROP-IN ANCHOR
 - SLEEVE ANCHOR
 - WEDGE ANCHOR
 - TAPCON ANCHOR
3. SHORT LEG, SM TILT (LATIN AMERICA)
4. LONG LEG, SM TILT (LATIN AMERICA)
(*NOT SHOWN ON THIS PAGE*)



INSTALLATION NOTES:

- A. SOLAR MOUNT TILT LEGS (LATIN AMERICA) ARE TO BE UTILIZED ON CONCRETE ROOFS ONLY
- B. INSTALLER MUST CONFIRM CONCRETE IS UNDAMAGED AND ADEQUATE TO ACCEPT CONCRETE ANCHORS
- C. FASTENER LENGTH SPECIFICATION AND CAPACITY VERIFICATION ARE THE RESPONSIBILITY OF THE INSTALLER

**SM TILT LEGS (LATIN AMERICA)
ARE INTENDED FOR USE ON
FLAT/LOW SLOPE ROOFS ONLY**



ARRAY LAYOUT: MARK LOCATION OF ARRAY SUPPORTS. EAST/WEST SUPPORT SPACING SHALL BE PER DESIGN AND ENGINEERING GUIDE. NORTH/SOUTH SPACING SHALL BE 46 3/4" TYPICAL.

(DROP IN ANCHOR SHOWN BELOW)



INSTALL CONCRETE FASTENERS: INSERT ANCHORS INTO HOLES AND SET PER MANUFACTURERS RECOMMENDATIONS. INSTALL ALL-THREAD TO APPROPRIATE DEPTH TO ALLOW FOR THICKNESS OF TILT LEG AND SERRATED FLANGE NUT.



DRILL HOLES FOR CONCRETE ANCHORS: HOLE DEPTH AND DIAMETER SHALL BE PER CONCRETE ANCHOR/EPOXY MANUFACTURER. ASSURE ALL DUST AND DEBRIS ARE REMOVED FROM HOLES PRIOR TO ANCHOR INSTALLATION.



INSTALL TILT LEG: ALIGN HOLE IN SHORT TILT LEG WITH PROTRUDING ALL-THREAD AND SECURE WITH 3/8" SERRATED FLANGE NUT. TIGHTEN SERRATED FLANGE NUT TO TORQUE VALUE PROVIDED BY ANCHOR MANUFACTURER.



INSTALL TILT LEG: ALIGN HOLE IN LONG TILT LEG WITH PROTRUDING ALL-THREAD AND SECURE WITH 3/8" SERRATED FLANGE NUT. TIGHTEN SERRATED FLANGE NUT TO TORQUE VALUE PROVIDED BY ANCHOR MANUFACTURER.



INSTALL SOLARMOUNT RAIL ON TILT LEGS: UTILIZE TYPICAL SOLARMOUNT 3/8" T-BOLT AND SERRATED FLANGE NUT TO FASTEN SOLARMOUNT RAIL TO SHORT AND TALL TILT LEGS. TORQUE 3/8 RAIL ATTACHMENT HARDWARE TO 30 FT-LBS.



COMPLETE ARRAY RAIL INSTALLATION: INSTALL SOLARMOUNT RAIL ON BOTH SHORT AND TALL LEGS. CENTER RAIL LENGTH TO CREATE EQUAL CANTILEVERS FOR ARRAY. RAIL SPLICE(S) MAY BE REQUIRED TO ACHIEVE FULL ARRAY LENGTH.



REFER TO STANDARD SM INSTALLATION GUIDE: FOR SPLICE, THERMAL BREAK, MODULE, BONDING & GROUNDING AND ALL OTHER SOLARMOUNT INSTALLATION DETAILS.